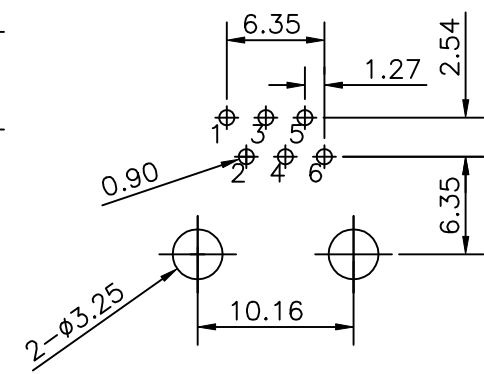
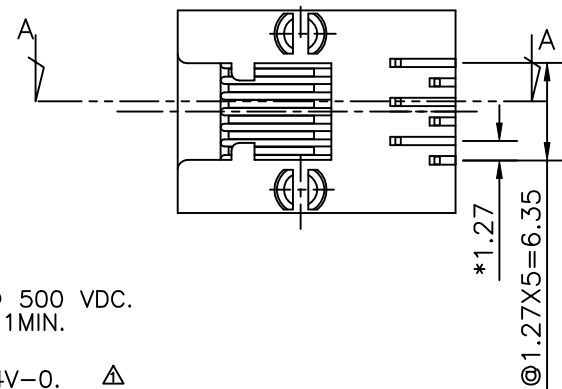
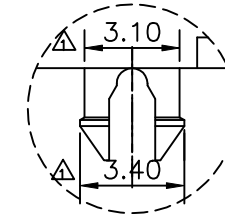
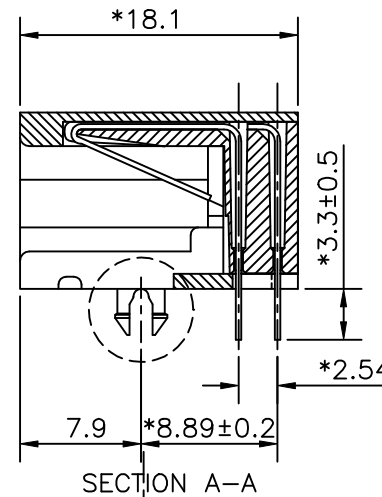
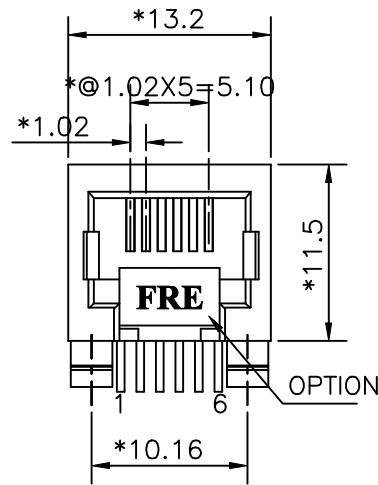


REVISION RECORD				
REV	ECO	DESCRIPTION	DRFT	CHKD
△		Drawing Modify	01/02/06	



PC BOARD LAYOUT COMPONENT SIDE SHOWN

**NOTES:**

**ELECTRICAL:**

- VOLTAGE RATING : 125 VAC RMS.
- CURRENT RATING : 1.5 AMP.
- CONTACT RESISTANCE : 35 MILLIOHMS MAX.
- INSULATION RESISTANCE: 1000 MEGOHMS MIN @ 500 VDC.
- DIELECTRIC STRENGTH : 1000 VAC RMS 60Hz, 1MIN.

**MECHANICAL:**

- HOUSING MATERIAL : HIGH TEM. UL94V-0. △
- CONTACT MATERIAL : PHOSPHOR BRONZE t=0.35mm.
- PLATING : GOLD PLATING OVER NICKEL.
- OPERATING LIFE : 750 CYCLES MIN.
- PCB RETENTION PRE-SOLDER : 1 LB MIN.
- PCB RETENTION POST-SOLDER: 10 LBS MIN.

**ENVIRONMENTAL:**

- STORAGE : -40°C TO +85°C.
- OPERATION: -40°C TO +85°C.

MATES WITH MODULAR PLUG CONFORMING TO FCC PART 68, SUBPART F.

PART NUMBER: E536X-FOOXXX-L

NO OF CONTACT:	1- 3u"	2- 6u"
2- 2C	3- 15u"	4- 30u"
4- 4C	5- 50u"	
6- 6C	50 - W/ FRE LOGO	
	5R - W/O LOGO	

DETAILED LISTS	MM (INCH)	DFTO Among	DATE 11/13/04	FULL RISE ELECTRONIC CO., LTD	
	TOLERANCES EXCEPT AS NOTED	CHKD QIANPU	DATE 2005/1/19		
		MFO	DATE		
		APPV LUSHENG	DATE 2005/1/19		
	MM	±		TITLE	DEEP TYPE
	.0 ±0.20	±			11.5 SIDE ENTRY 6P
	.00 ±0.15	±			
	.000 ±0.075	±			
	ANGLES ±	QT'Y :		DRAWING NO. GE533099	SIZE A3
		FINISH :		/PART NO. SEE NOTE	REV 1
	THIRD ANGLE PROJECTION	SCALE : 3:1		DO NOT SCALE DRAWING	SHEET X OF Y